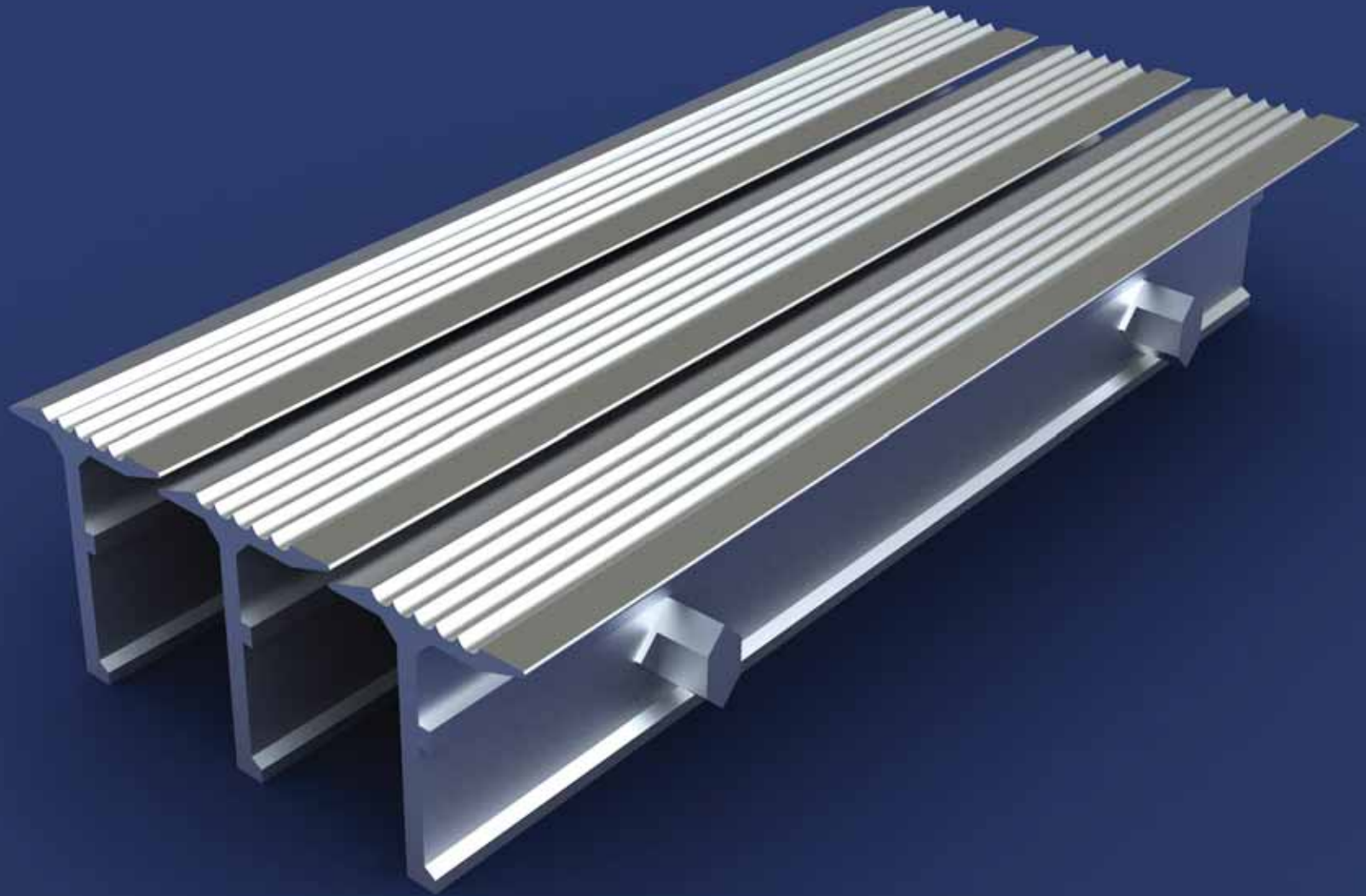


Neatdek 188

A new design concept in decking and flooring.



iT's open, yet closed.



Safety underfoot

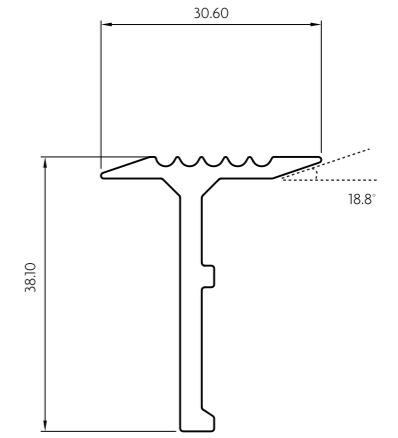
With concealed drainage and no surface gaps, it's even safe to walk in stilettos.



Easy maintenance

Litter and other items are kept on the surface and easily picked up.

1. Technical Specification



Height: 38.1mm
Width: 30.6mm
Angle: 18.8°

2. Load / Span table

Maximum clear span (mm)

1. LIGHT DUTY -Access limited to one person. 3kN/m ² U.D.L.		
Deflection	1/200 Span or 10mm	6.5mm
Limiting Span	1925mm	1800mm

2. GENERAL DUTY -Regular two-way pedestrian traffic. 5kN/m ² U.D.L.		
Deflection	1/200 Span or 10mm	6.5mm
Limiting Span	1675mm	1575mm

3. HEAVY DUTY -High density pedestrian traffic. 7.5kN/m ² U.D.L.		
Deflection	1/200 Span or 10mm	6.5mm
Limiting Span	1450mm	1425mm

OTHER PRODUCTS FROM NEACO

Balustrade

Balconies

Structural glass

Solar shading

Adaptive bathing



All NEACO products come with our class-leading Lifetime Guarantee.

www.neaco.co.uk



neaco

norton engineering alloys co ltd

Norton Engineering Alloys Company Limited,
Norton Grove Industrial Estate, Norton,
Malton, N. Yorkshire YO17 9HQ England

T 01653 695721 F 01653 600418

E sales@neaco.co.uk

Complete privacy

Completely restricts the view from above and below - making it ideal for balconies.