

neaco

norton engineering alloys co ltd

NEATDEK 188

Developed from the original T-bar profile of our Neatdek system, this innovative grille design has a concealed-gap surface with discreet drainage providing safe footing in all types of footwear. Ideal for raised floors and balconies, Neatdek 188 also provides total privacy by restricting views from above and below.

NEATDEK 188

Fire Rating: A1 Fire Rated and fully compliant with Class O of Document B

Surface contact area: 100%

Materials used: load-bearing bars in Aluminium Alloy 6082 T6 & swage bars in Aluminium Alloy 6082 T4

Recycled content: 85-100% (finished product is also 100% recyclable)

Warranty: all Neaco products come with a Lifetime Guarantee - details on request



neaco

norton engineering alloys co ltd

balustrade | balconies | flooring | grilles | adaptive bathing

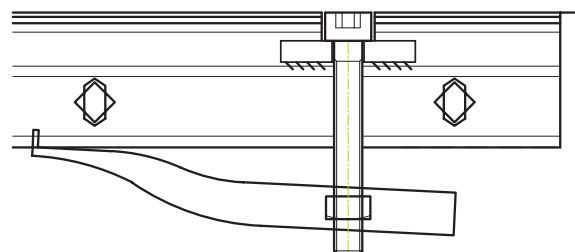
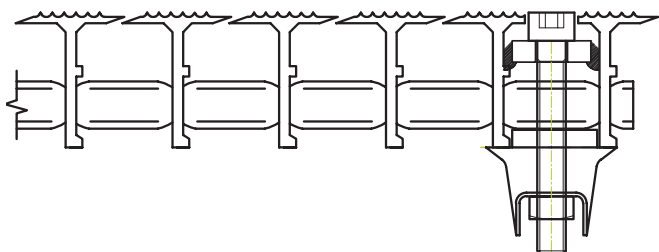
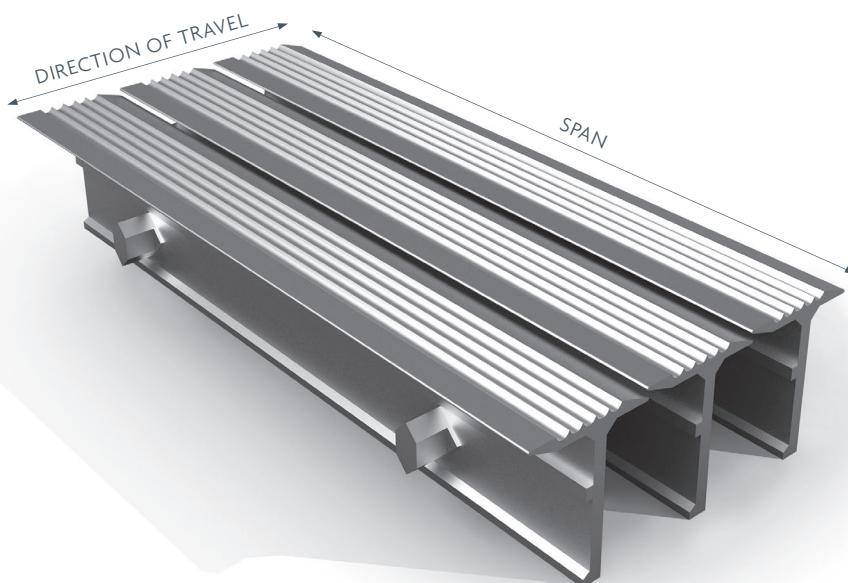
Pedestrian loading categories as described in BS 4592 part 0: 2006			LIGHT DUTY Access limited to one person 3kN/m ² U.D.L.				GENERAL DUTY Regular two-way pedestrian traffic. 5kN/m ² U.D.L.				HEAVY DUTY High density pedestrian traffic. 7.5kN/m ² U.D.L.				
PANEL TYPE		WEIGHT Kg/M ²	BAR HEIGHT	PLAIN BAR		SERRATED		PLAIN BAR		SERRATED		PLAIN BAR		SERRATED	
				1/200 SPAN OR 10mm	6.5mm	1/200 SPAN OR 10mm	6.5mm	1/200 SPAN OR 10mm	6.5mm	1/200 SPAN OR 10mm	6.5mm	1/200 SPAN OR 10mm	6.5mm	1/200 SPAN OR 10mm	6.5mm
	NEATDEK 188	17.2	38	1925	1800			1675	1575			1450	1425		

BOLD The figures in bold show the maximum clear span for the category of loading whilst limiting the deflection to 1/200 of the clear span or 10mm, whichever is the lesser.

Italics Where spans exceed 1300mm and pedestrian comfort is of paramount importance, the table provides details of clear spans which produce deflections of 6.5mm.

PANEL WIDTHS

Number of load bearing Bars	Neatdek 188
2	61.2
3	91.8
4	122.4
5	153
6	183.6
7	214.2
8	244.8
9	275.4
10	306
11	336.6
12	367.2
13	397.8
14	428.4
15	459



neaco

norton engineering alloys co ltd

balustrade | balconies | flooring | grilles | adaptive bathing